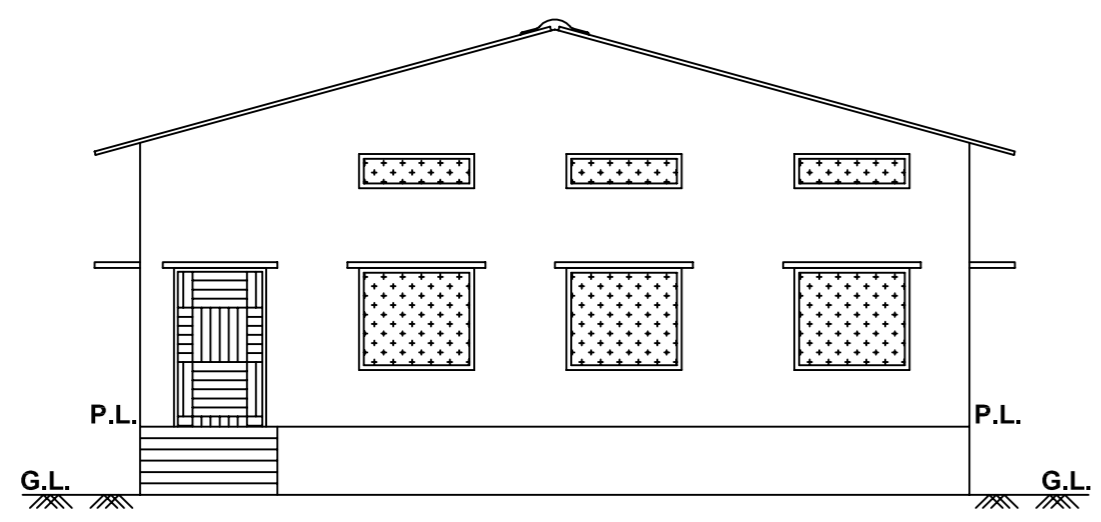
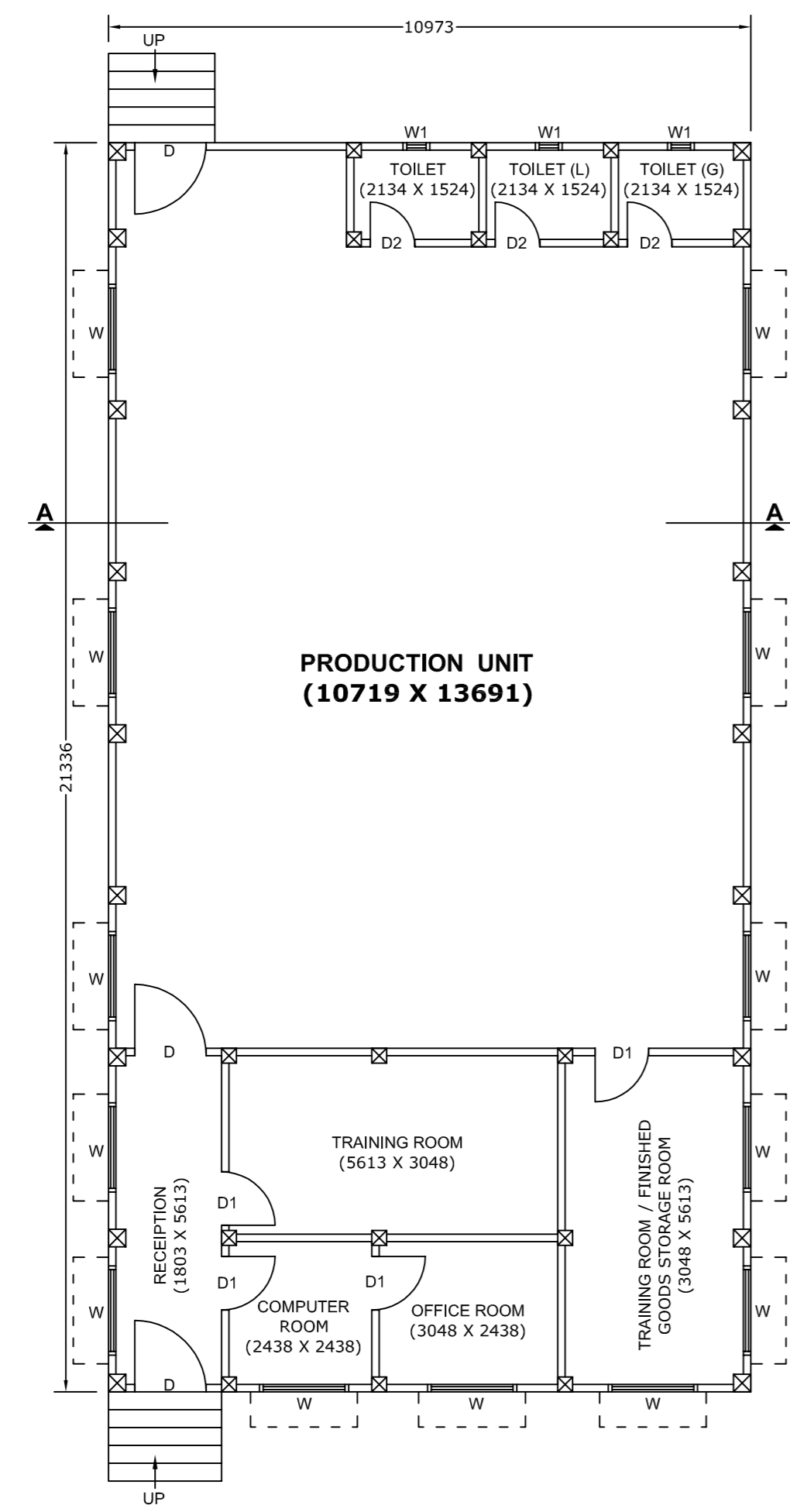


**SECTION A - A**  
SCALE = 1 : 100

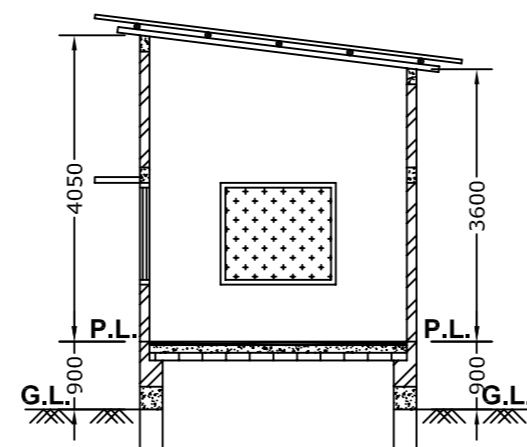


**FRONT ELEVATION**  
SCALE = 1 : 100

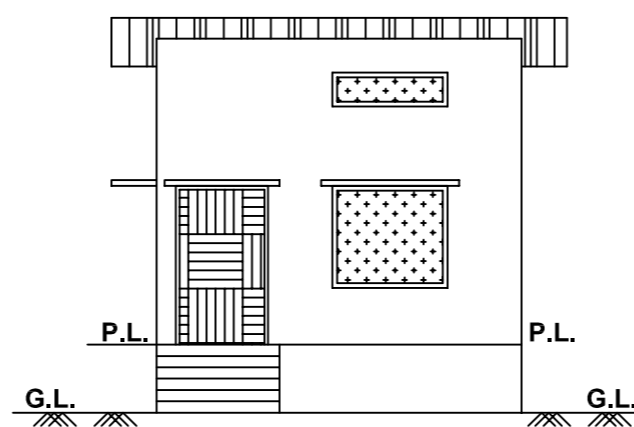


**PLAN OF COMMON FACILITY CENTRE**  
SCALE = 1 : 100

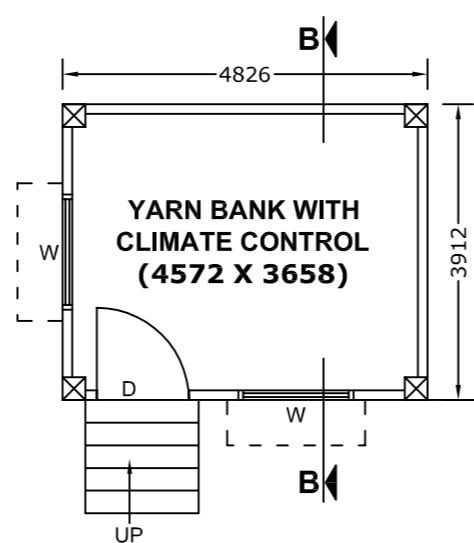
SPECIFICATIONS	
DOOR :	
D	1.2 M X 2.1 M
D1	0.9 M X 2.1 M
D2	0.75 M X 2.1 M
WINDOW :	
W	1.5 M X 1.35 M
W1	0.45 M X 0.9 M
VENTILATOR :	
V	1.5 M X 0.45 M



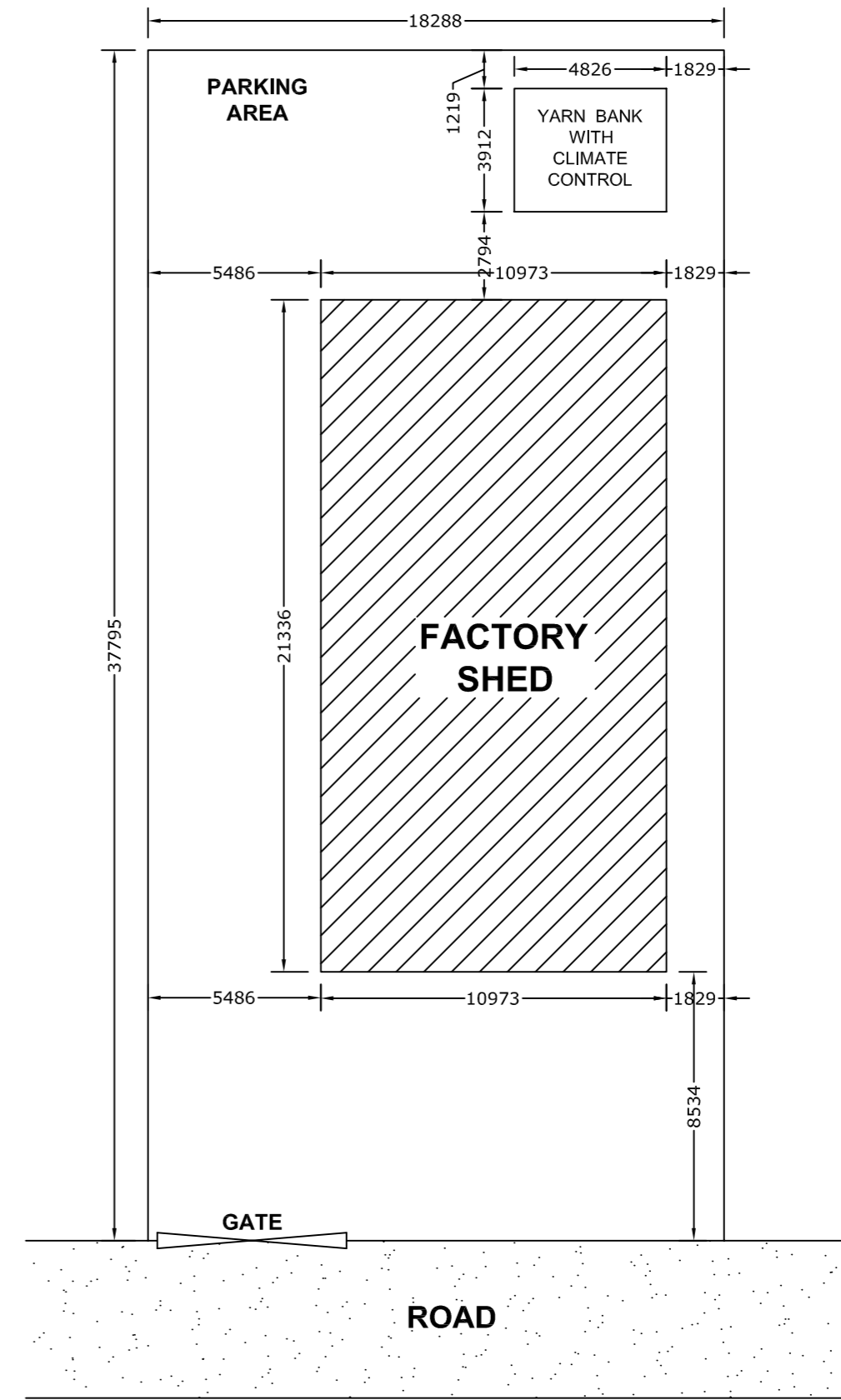
**SECTION B - B**  
SCALE = 1 : 100



**FRONT ELEVATION**  
SCALE = 1 : 100



**PLAN OF YARN BANK**  
SCALE = 1 : 100



**SITE PLAN**  
SCALE = 1 : 200

**PROJECT :**

**ASSAM TYPE COMMON FACILITY CENTRE WITH YARN BANK.**

**CLIENT :**

**JYOTIRGAMAYA WELFARE SOCIETY.**

**LOCATION :**

VILL :- CHENGA, BAMPARA,  
P. O. :- CHENGA,  
P. S. :- TARABARI,  
DIST :- BARPETA, ASSAM.

**DRG. DETAILS :**

PLAN, FRONT ELEVATION, SECTION,  
& SITE PLAN OF CFC WITH YARN BANK.

**PREPARED BY :**

**ER. NIHAR KANTI DEB**

BE, AIE, CE, FIV, MIGS  
CHARTERED ENGINEER, VALUER &  
COMPETENT PERSON, CHIEF INSPECTOR OF  
FACTORIES, GOVT. OF ASSAM.  
PH. NO : 98640 - 10134

**CHECKED BY :**

ER. N. K. DEB.

**SIGNATURE :**

**DRN. BY :**

SACHIN

**DATE :**

07-08-2020

ALL DIMENSION ARE IN MILIMETER