

Layout of tie beam & foundation

NOTES:

1. ALL DIMENSION ARE IN MM IF MENTIONED OTHERWISE.
2. GRADE OF STEEL: Fe415.
3. GRADE OF CONCRETE: M15.
4. COVER:
COLUMNS: 40
FOOTINGS: 50
5. BEAM: 25
4. IF ANY DOUBT ASK ENGINEER.
5. THIS DRAWING IS NOT IN SCALE.
6. FULL BRICK WALL UP TO PLINTH LEVEL.
7. HALF BRICK WALL FROM PLINTH TO TOP.
8. Depth of foundation "F" is as per site condition but not less than 1500.

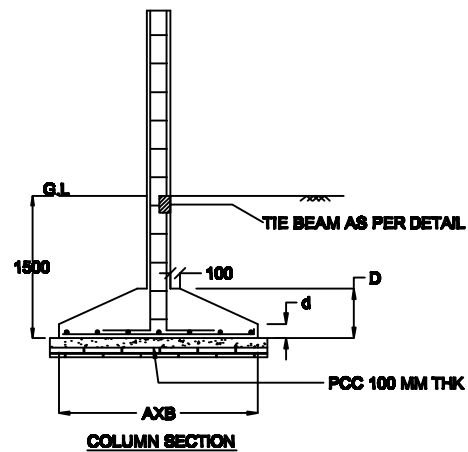
COLUMN DETAILS:

COLUMN TYPE	DIMENSION	MAIN BAR	STIRRUPS
COLUMN	300x300	4-16	6 @ 100 C/C

FOOTING DETAILS:

FOOTING TYPE	DIMENSION	D	H	REINFORCEMENT DETAILS
F1	1300x1300	800	200/1000	12 T @ 200 C/C BW

tie beam: 230x300
4-16 T
& stirrup: 6 @ 100 c/c



COLUMN SECTION

**RAW BUILDING
foundation drawing**

**LUMBAJONG GINGER & TURMERIC CLUSTER,
KHERONIGUAN,
MANZA, KARBI ANGLON**