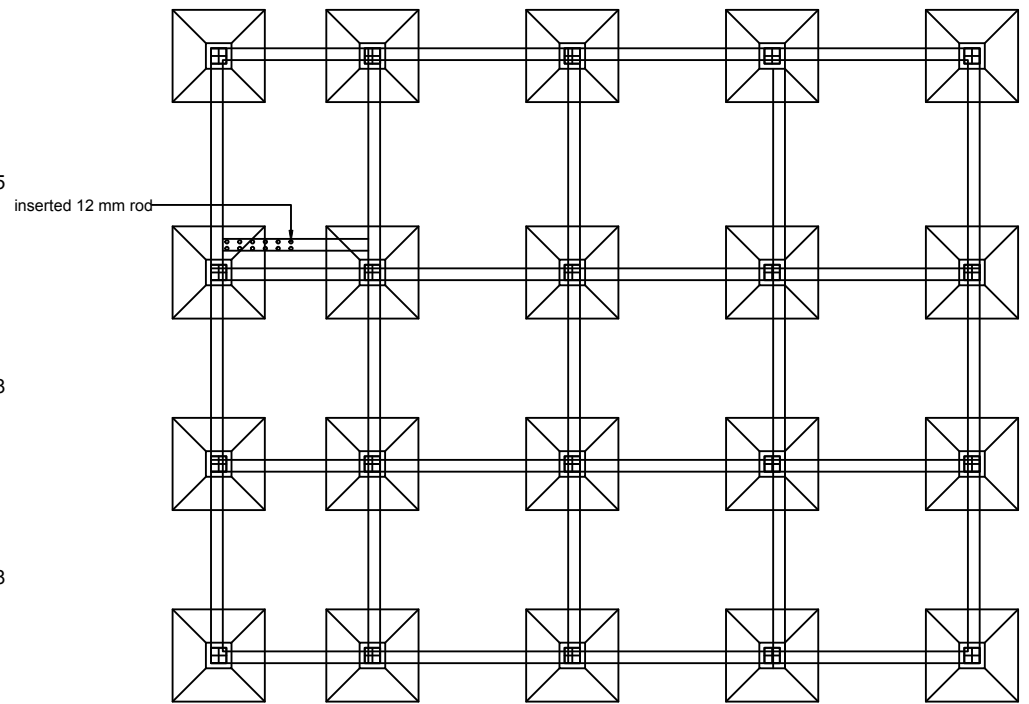
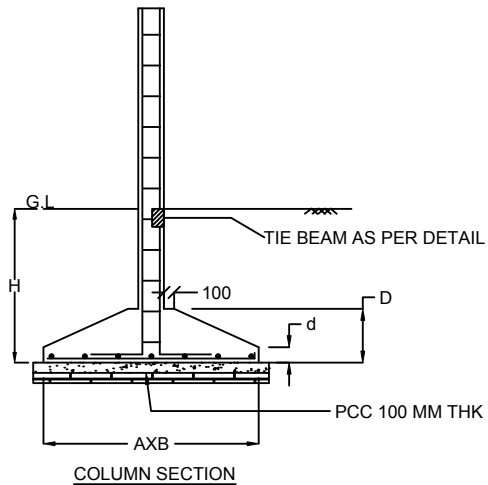


**CENTRE LINE OF COLUMN**



**LAYOUT OF FOOTING & TIE BEAM**



**COLUMN SECTION**

**COLUMN DETAILS:**

COLUMN TYPE	DIMENSION	MAIN BAR	STIRRUPS
C1,C2,C3,C4,C5 C6,C10,C11,C15 C16,C17,C18, C19,C20	300X300	4-16+4-12	8 @ 150 C/C
C7,C8,C9, C12,C13,C14,	300X300	8-16	8 @ 150 C/C

**NOTES:**

1. ALL DIMENSION ARE IN MM IF MENTIONED OTHERWISE.
2. GRADE OF STEEL: Fe415.
3. GRADE OF CONCRETE: M20.
4. COVER:  
COLUMN: 40  
FOOTING: 50  
BEAM: 25
4. IF ANY DOUBT ASK ENGINEER.
5. THIS DRAWING IS NOT IN SCALE.
6. FULL BRICK WALL UPTO PLINTH LEVEL.
7. HALF BRICK WALL FROM PLINTH TO TOP.
8. foundation should be on hard strata.

**FOOTING DETAILS:**

FOOTING TYPE	DIMENSION	D	d	H	REINFORCEMENT DETAILS
F1	1800x1800	600	200	1800	12 T @ 200 C/C B/W

Tie beam: 230x350  
3-16 (top) & 3-16 (bottom)  
Stirrup: 8@150 c/c

**COMMON FACILITY CENTRE, UNIT II**  
**foundation drawing**  
LUMBAJONG GINGER & TURMERIC CLUSTER,  
KHERONIGOAN,  
MANZA, KARBI ANGLONG