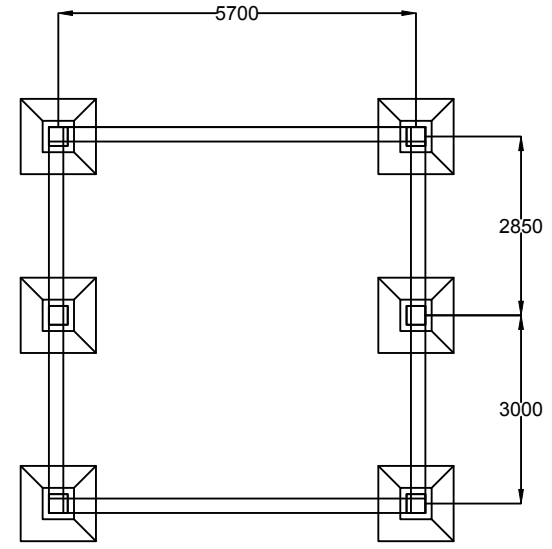


Plan



Layout of tie beam & footing

COLUMN DETAILS:

COLUMN TYPE	DIMENSION	MAIN BAR	STIRRUPS
COLUMN	300X300	4-16	8 @ 150 C/C

FOOTING DETAILS:

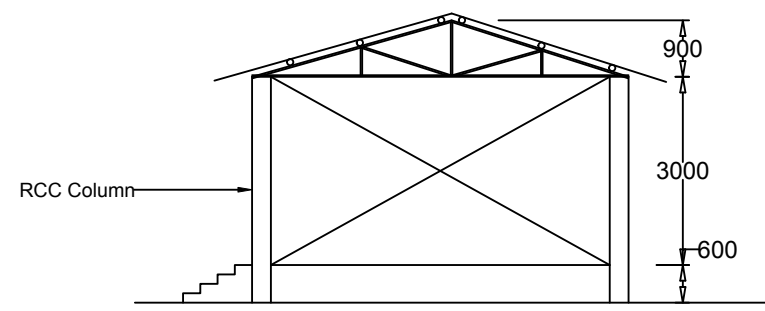
FOOTING TYPE	DIMENSION	D	d	H	REINFORCEMENT DETAILS
F1	1200x1200	400	150	1200	12 T @ 200 C/C B/W

tie beam: 230x300

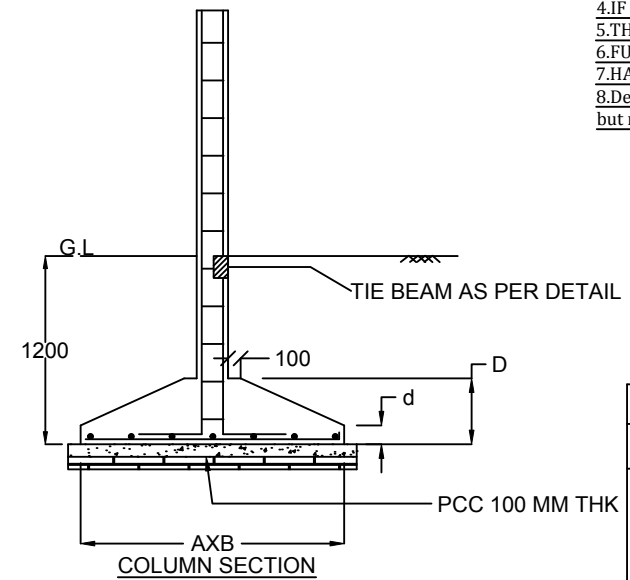
4-16 T
& stirrup: 8@150 c/c

NOTES:

1. ALL DIMENSION ARE IN MM IF MENTIONED OTHERWISE.
2. GRADE OF STEEL: Fe415.
3. GRADE OF CONCRETE: M15.
4. COVER:
COLUMN: 40
FOOTING: 50
BEAM: 25
4. IF ANY DOUBT ASK ENGINEER.
5. THIS DRAWING IS NOT IN SCALE.
6. FULL BRICK WALL UPTO PLINTH LEVEL.
7. HALF BRICK WALL FROM PLINTH TO TOP.
8. Depth of foundation "H" is as per site condition but not less than 1200.



Section



COLUMN SECTION

WASHING FLOOR

COMMON FACILITY CENTRE, UNIT III plan, section, foundation drawing
LUMBAJONG GINGER & TURMERIC CLUSTER KHERONIGOAN, MANZA, KARBI ANGLONG