

**COLUMN DETAILS:**

COLUMN TYPE	DIMENSION	MAIN BAR	STIRRUPS
COLUMN	200X200	4-10	8 @ 150 C/C

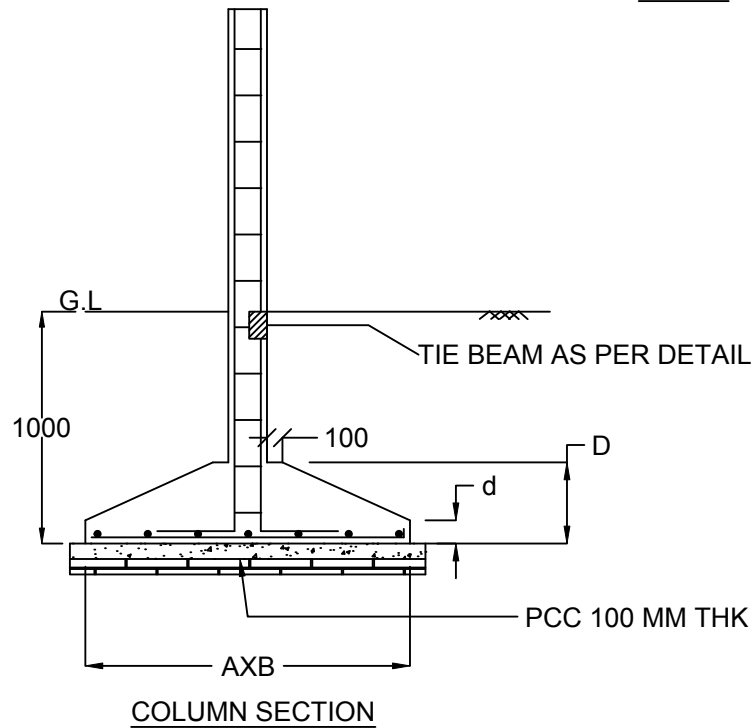
**FOOTING DETAILS:**

FOOTING TYPE	DIMENSION	D	d	H	REINFORCEMENT DETAILS
F1	1000x1000	300	150	1000	8 T @ 150 C/C B/W

tie beam:200x300  
4-12 T  
& stirrup: 8@150 c/c

**NOTES:**

1. ALL DIMENSION ARE IN MM IF MENTIONED OTHERWISE.
2. GRADE OF STEEL: Fe415.
3. GRADE OF CONCRETE: M15.
4. COVER:  
COLUMN: 40  
FOOTING: 50  
BEAM: 25
4. IF ANY DOUBT ASK ENGINEER.
5. THIS DRAWING IS NOT IN SCALE.
6. FULL BRICKWALL UPTO PLINTH LEVEL.
7. HALF BRICK WALL FROM PLINTH TO TOP.
8. Depth of foundation "H" is as per site condition but not less than 1000.



**TOILET BLOCK**

<b>COMMON FACILITY CENTRE, UNIT IV</b>
plan, section, foundation drawing
LUMBAJONG GINGER & TURMERIC CLUSTER KHERONIGOAN, MANZA, KARBI ANGLONG